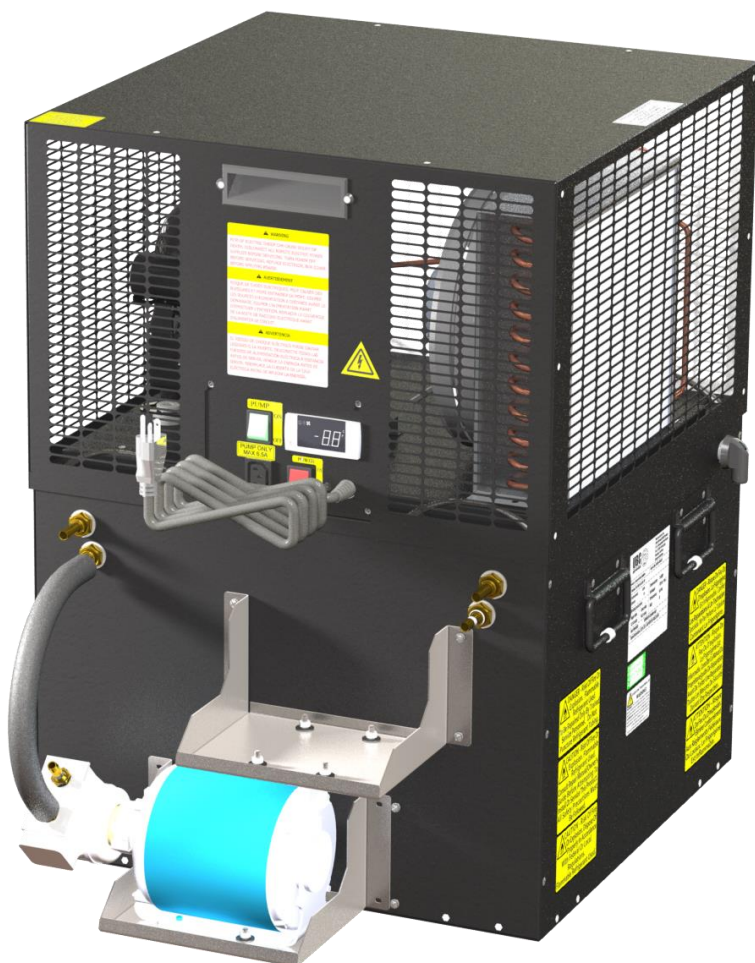



Glycol Chiller ChillPro 5500

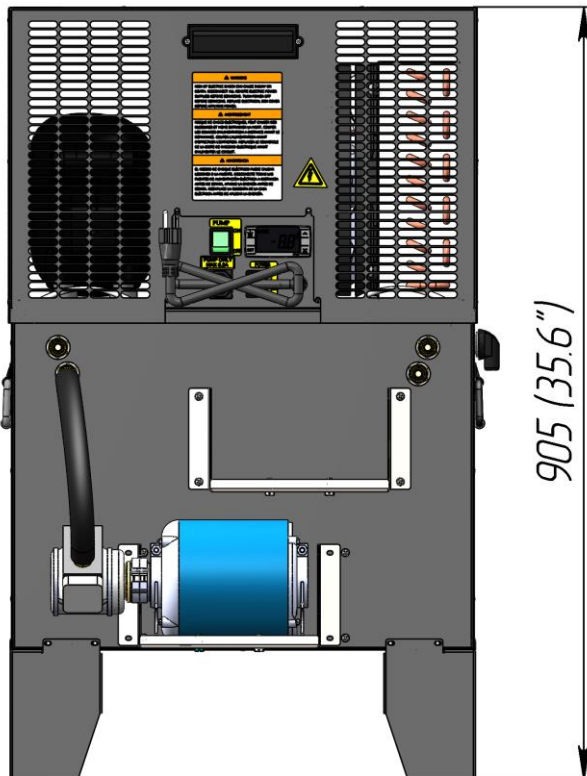
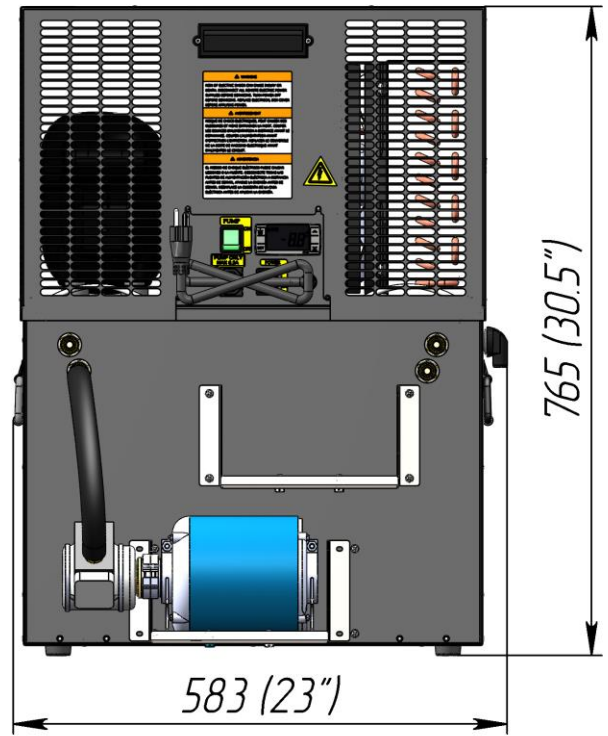
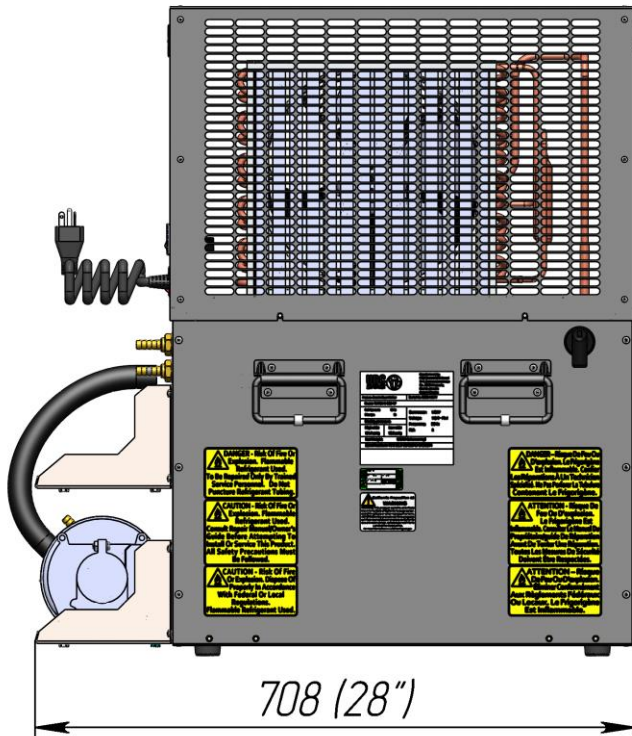
Specifications



Internal number	150.00.000.00-XX
Part number	CP5500
Maximum distance, ft	up to 450
Capacity, BTU/h, evap 20 °F	5500
Glycol tank capacity, gal	18
Compressor power, hp	3/4
Dedicated circuit, amp	20
Plug type (NEMA #)	5-20P 
Voltage, V / frequency, Hz	115 / 60
Dedicated circuit (Plug)	20 A
Pump type	Vane with 1/3 hp motor
Pump, GPH	80
Number of pre-installed pumps	1
Number of additional pumps	1
Refrigerant	R290
Width, in	28
Depth, in	23
Height, in	30.5 / 35.6 (on legs)
Weight gross/net, lbs	141 / 134
Power cord length, ft	6
Inlet/Outlet barb, in	3/8
Operating ambient temperature, °F	60-90
Clearance at least	12" around the entire unit
Glycol mixture, vol%	40 % glycol and 60% water

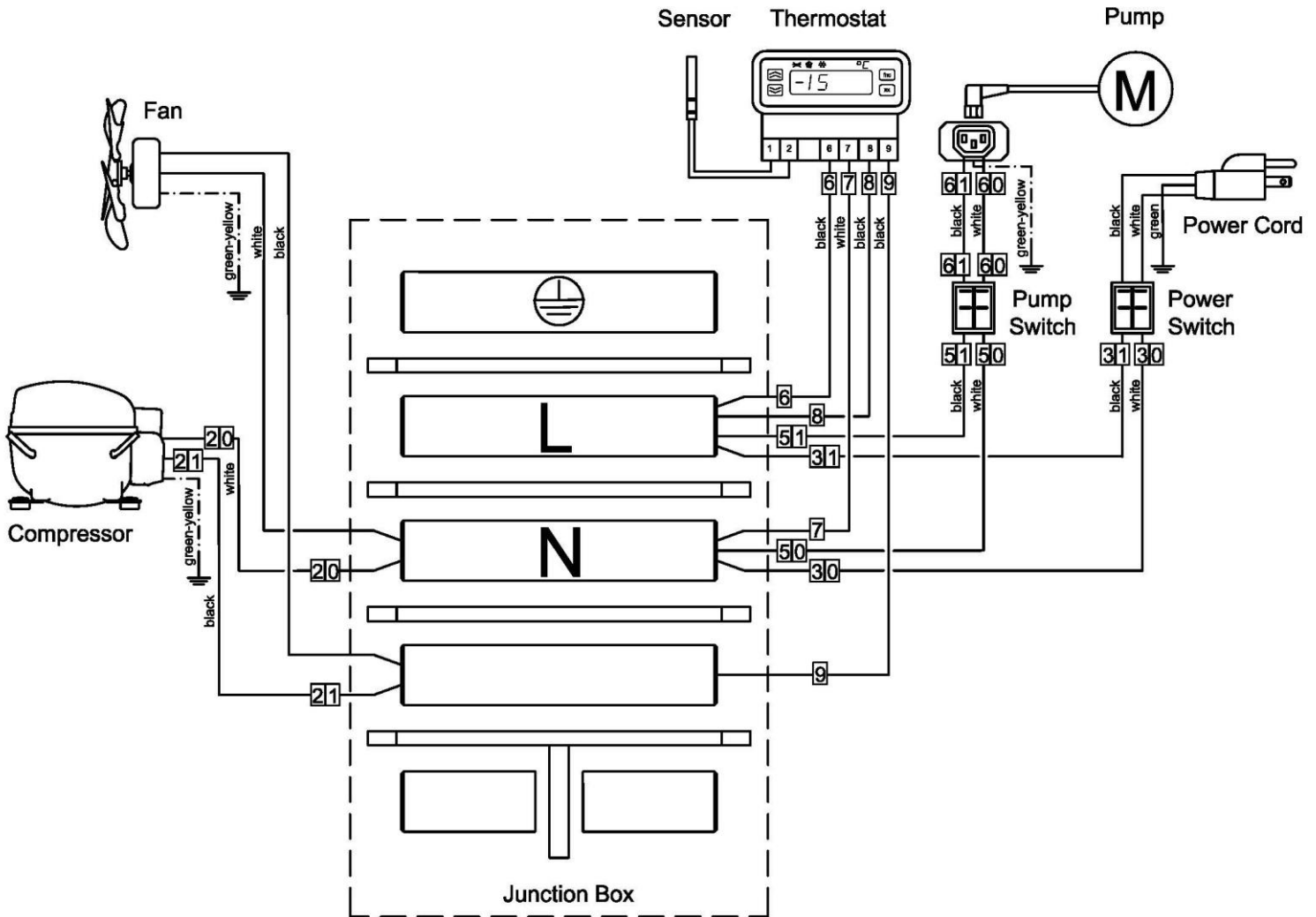
Glycol Chiller ChillPro 5500

Overall dimensions



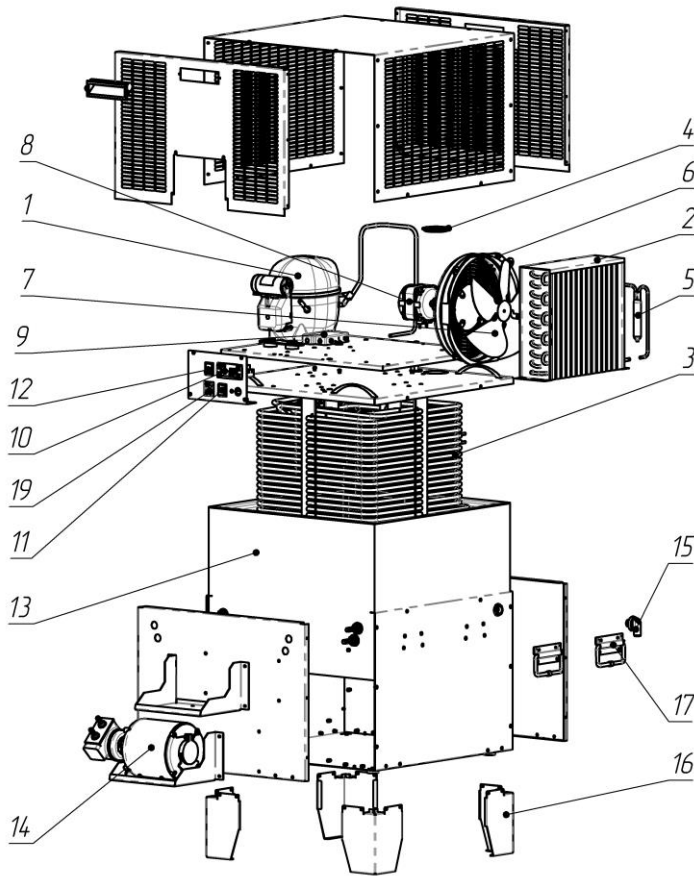
Glycol Chiller ChillPro 5500

Wiring diagram (Plug version)



Glycol Chiller ChillPro 5500

Parts



1	Compressor "EMBRACO" NEU 6214U (115V 60Hz) or "SECO" NLE11MN CSIR (115-127V/60Hz)
2	Air condenser "KARYER" B-29460
3	Evaporator
4	Cap
5	Filter-drier "DE-NA" GR-15 d6.1xd6.1xd2.5
6	Plastic grid "KARYER" D=254 mm
7	Impeller Ø254 mm., $\alpha=28^\circ$
8	Electric motor "ELCO" NU 16-30-2/096 (115V 50/60Hz) or "WGMOTORS" YZF18-25 (120V/60Hz)
9	Terminal block "ITW ELETTRGIBI " PA104
10	Thermostat "DIXELL" XR02CX-4N0F1 (115 V/ 60Hz)
11	Power switch "ARCOLECTRIC" C6053ALBR (Red)
12	Power switch "ARCOLECTRIC" C6053ALBG (Green)
13	Glycol bath
14	Glycol pump «FLUID-O-TECH» PA 2501 or "PROCON" 102A080F11BA250, and motor "MARATHON" 5KH32FN5586MX (115V/60Hz) or "UBC" YU250-4G01 (100-120V/200-240V-50/60hz)
15	Overflow
16	Foot
17	Handle
18	Capillary tube 2.4x0.575x800 mm
19	Connector R302SN 250V 10A