

**Brooklyn Wall Mount Towers**  
**CTW3P[X]-GL : Chrome Contact**  
**CTW3P[X]SS-GL : SS Contact**

[X]: Number of Faucets

**All SS304 Contact, Glycol Ready**

**Made in USA**

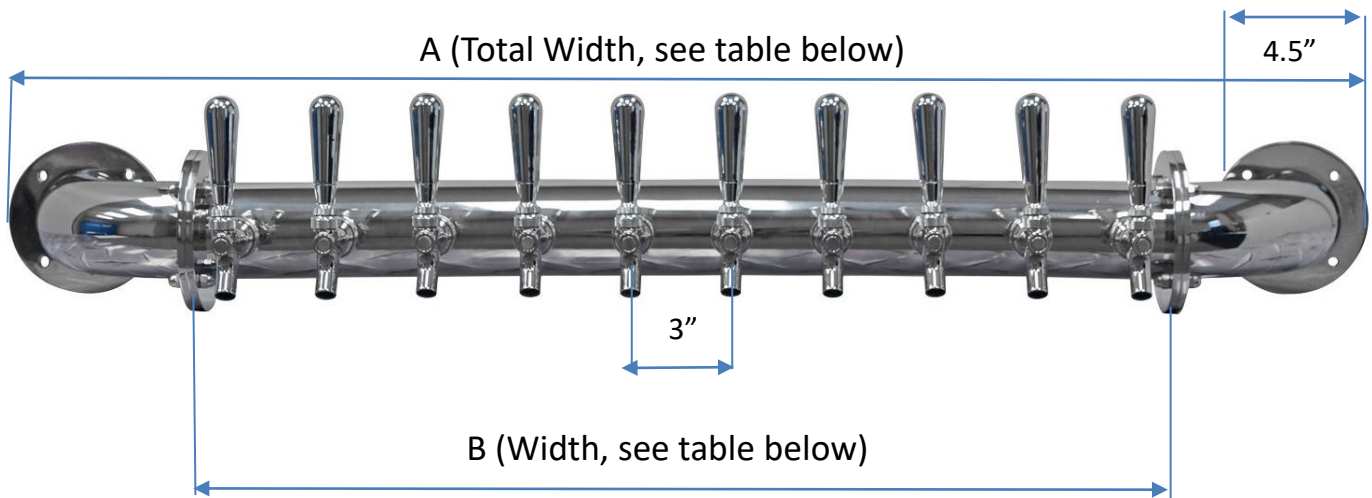
**Body : 3" Diameter Pipe, Polished Stainless Steel**

**Flanges : 4.5" diameter**

**Product Lines : 304 grade SS with 1/4" barb**

**Restriction : See table below.**

**Glycol Lines : 3/8" OD Copper with 3/8" Barbs - See table below**



Faucets	Restriction	Glycol	A (Total Width)	B (Width)
4 Faucets	3.6 pounds	1 Loop (2 connections)	23 1/2"	12"
5 Faucets	3.6 pounds	1 Loop (2 connections)	26 1/2"	15"
6 Faucets	3.6 pounds	1 Loop (2 connections)	29 1/2"	18"
8 Faucets	Line 1-3: 4.8 lbs Others: 3.6 lbs	1 Loop (2 connections)	35 1/2"	24"
10 Faucets	3.6 pounds	2 Loops (4 connections)	41 1/2"	30"
12 Faucets	3.6 pounds	2 Loops (4 connections)	47 1/2"	36"
16 Faucets	Line 6-11: 4.8 lbs Others: 3.6 lbs	2 Loops (4 connections)	59 1/2"	48"