

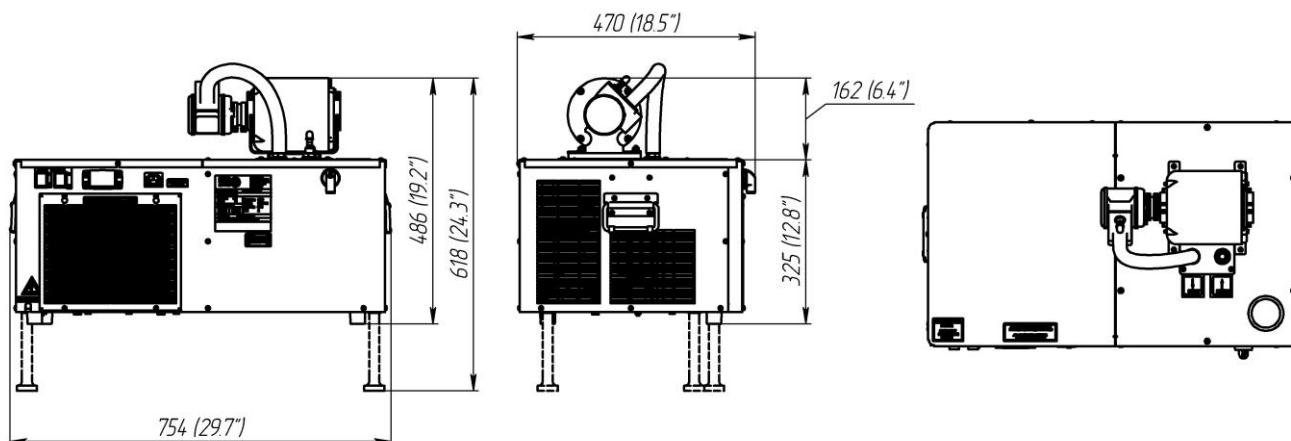
Glycol Chiller TAYFUN H-35G-GP

Specifications



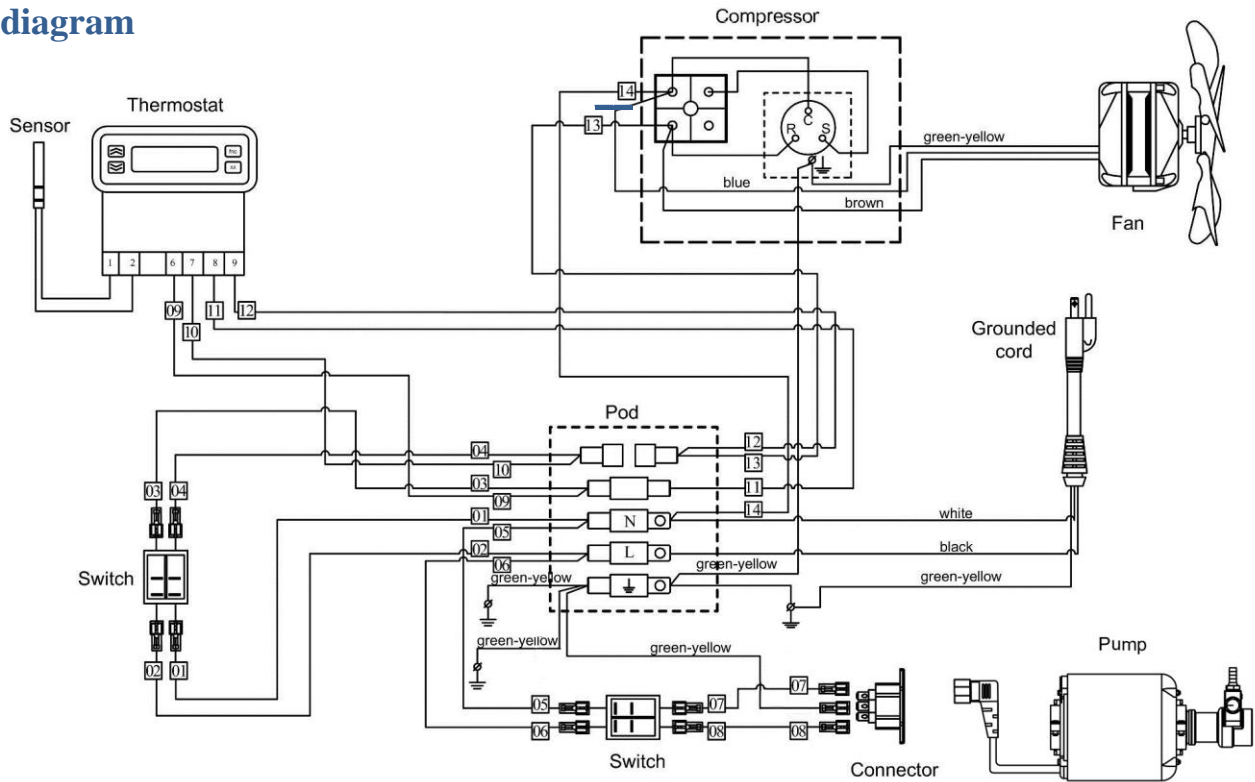
Internal number	148.00.000.00-01
Part number	H35G-3/8GP
Maximum distance, ft	up to 125
Capacity, BTU/h, evap 20 °F	3200
Glycol tank capacity, gal	5.8
Compressor power, hp	3/8
Dedicated circuit, amp	15
Plug type (NEMA #)	5-15P (Ⓢ)
Voltage, V / frequency, Hz	115 / 60
Pump type	Vane with 1/3 hp motor
Pump, GPH	100
Number of pre-installed pumps	1
Number of additional pumps	n/a
Refrigerant	R134a
Width, in	29.7
Depth, in	18.5
Height, in	19.2 / 24.3 (optional legs)
Weight gross/net, lb	102 / 91
Power cord length, ft	6
Inlet/Outlet barb, in	3/8
Operating ambient temperature, °F	60-90
Clearance at least	12" around the entire unit
Glycol mixture, vol%	40 % glycol and 60% water

Overall dimensions

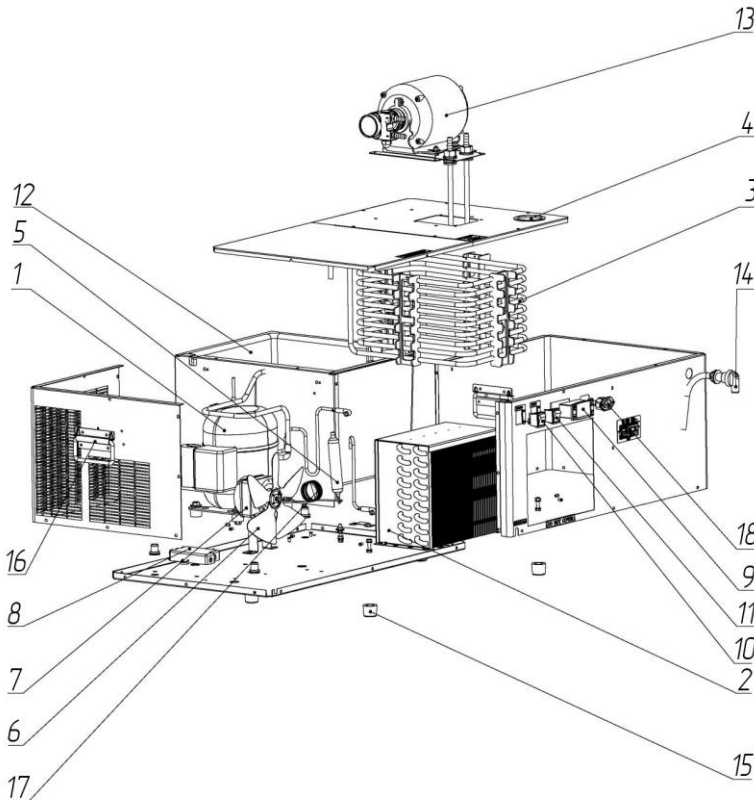


Glycol Chiller TAYFUN H-35G-GP

Wiring diagram



Parts



1	Compressor "TECUMSEH" AE4450Y-AA1A ASHRAE AZ (115V/60Hz) or "EMBRACO" NEU 6212 Z (115-127 V/60Hz)
2	Air condenser "KARYER" B-18143 UL
3	Evaporator
4	Cap
5	Filter-drier "BVB" GR 30- 6.1x2.5
6	Impeller Ø200 mm., $\alpha=28^\circ$
7	Electric motor "ELCO" NU 9-20-2/094 (115V/50-60Hz) UL
8	Terminal block "ITW ELETTRGIBI " PA104
9	Thermostat "DIXELL" XR02CX-4N0F1 (115 V/ 60Hz)
10	Power switch "ARCOLECTRIC" C6053ALBR (Red)
11	Power switch "ARCOLECTRIC" C6053ALBG (Green)
12	Glycol bath
13	Glycol pump «FLUID-O-TECH» PA 2501 («PROCON» 102A080F11BA), cover to the pump « FLUID-O-TECH », set union joint « FLUID-O-TECH » 48 YZ and motor "MARATHON" 5KH32FN5586MX (115V/60Hz)
14	Overflow
15	Four rubber supports
16	Handle
17	Capillary tube 2.4x0.575x1800 mm
18	Connector R302SN 250V 10A