


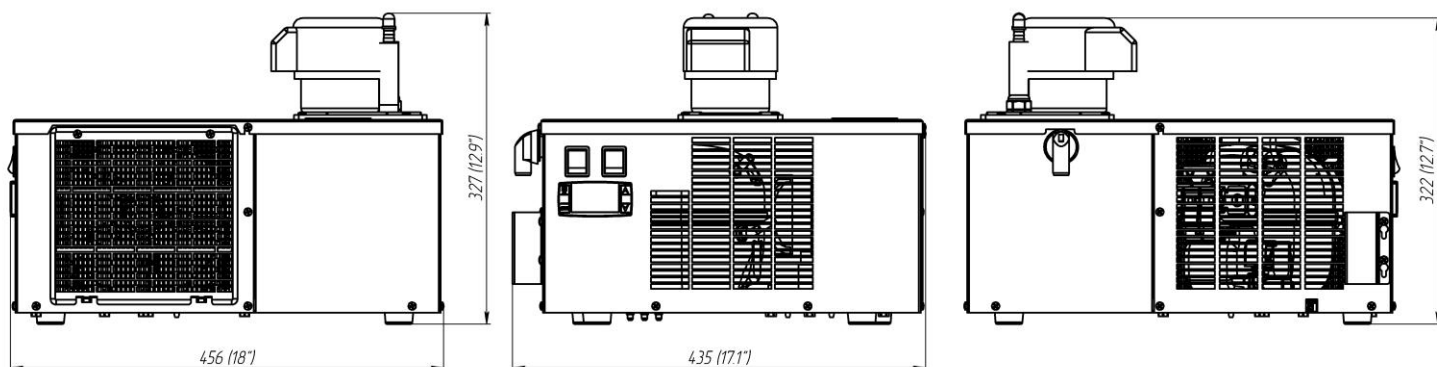
Glycol Chiller Kalinka-ICE

Specifications



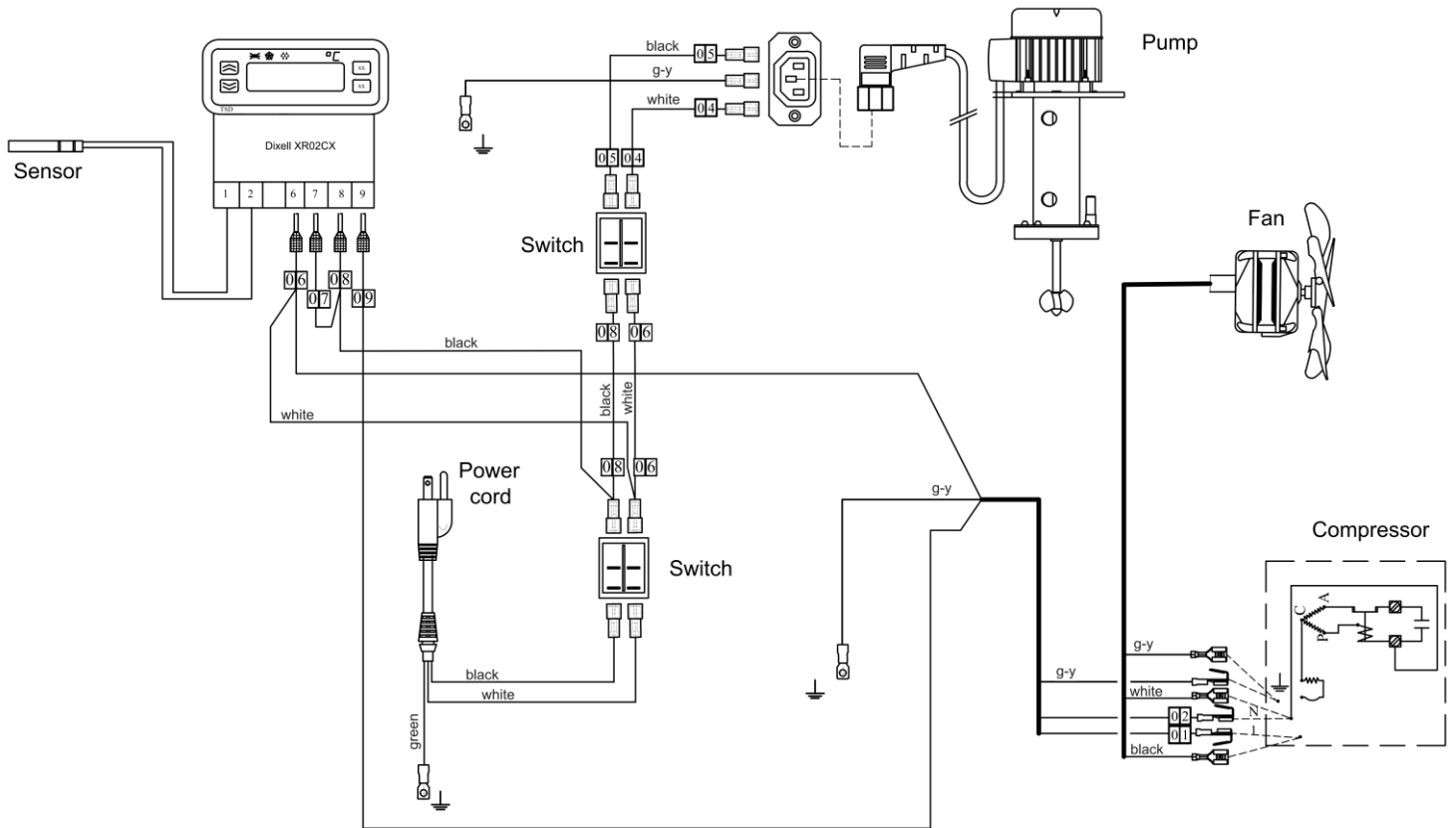
Internal number	112.00.000.00-11
Part number	KG-1/6VP
Maximum distance, ft	up to 25
Capacity, BTU/h, evap 20 °F	1150
Glycol tank capacity, gal	2
Compressor power, hp	1/6
Dedicated circuit, amp	15
Plug type (NEMA #)	5-15P 
Voltage, V / frequency, Hz	115 / 60
Pump type	Vertical
Pump, GPH	4.5
Number of pre-installed pumps	1
Number of additional pumps	n/a
Refrigerant	R290
Width, in	17.1
Depth, in	18
Height, in	12.9
Weight gross/net, lb	45.4 / 52.1
Power cord length, ft	6
Inlet/Outlet barb, in	3/8
Operating ambient temperature, °F	60-90
Clearance at least	12" around the entire unit
Glycol mixture, vol%	40 % glycol and 60% water

Overall dimensions

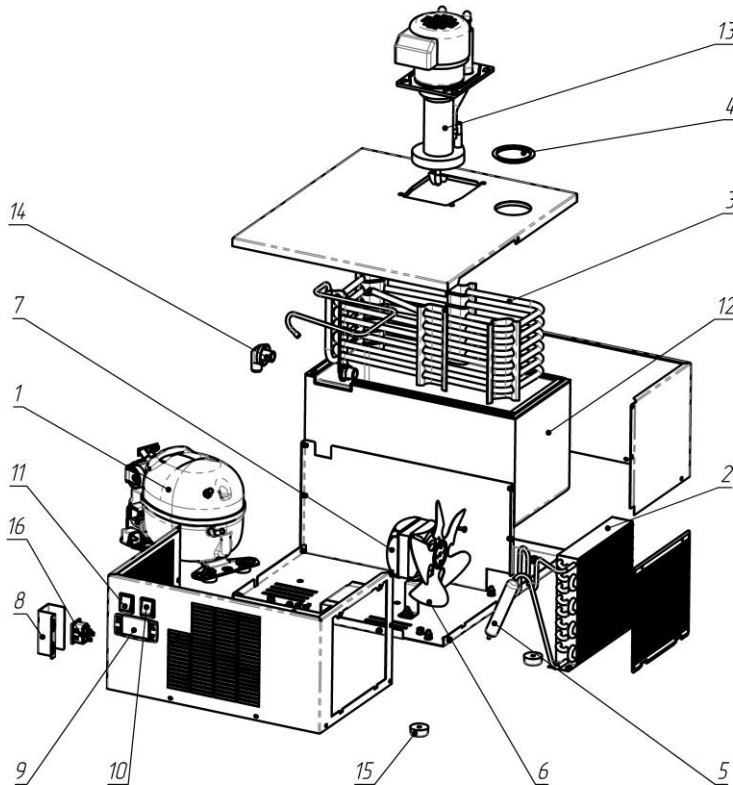


Glycol Chiller Kalinka-ICE

Wiring diagram



Parts



1	Compressor "EMBRACO" EMI 50UER (115-127 V/60Hz) or "CUBIGEL" NBC30NR (115V, 60Hz)
2	Air condenser "KARYER" STFT 12118
3	Evaporator
4	Cap
5	Filter-drier "DE.NA" GR15 6.1/2.1
6	Impeller "ELCO" Ø172 mm., $\alpha=28^{\circ}$
7	Electric motor "EBM" M4Q045-BD-03-04 (115V, 60Hz) or "ELCO" NU 4-13-2/236 115 V, 60/50 Hz
8	Protective casing
9	Thermostat "DIXELL" XR02CX-4N0F1 (115 V/ 60Hz)
10	Power switch "ARCOLECTRIC" C6053ALBG (Green)
11	Power switch "ARCOLECTRIC" C6053ALBR (Red)
12	Glycol bath
13	Glycol pump "FLOJET" SPC 17/4, (115V/60Hz)
14	Overflow
15	Leg
16	Connector R302SN 250V 10A