

# Power Monitor Add-on KIT (0486) for LogiCO2 Safety Systems



## FUNCTION

The Power Monitor is a surveillance unit which ensures that the personnel are alerted in case there is a power failure that puts the LogiCO2 Safety System out of function. It has a built-in buzzer and place for two AAA alkaline batteries (batteries not included).

If there is a power failure the Power Monitor makes an alarm. The Power Monitor alarm will buzz for at least 12 hours.

If the LogiCO2 Safety System is powered via a UPS power back-up, it is recommended to install a Power Monitor that monitors the UPS-function. In case the UPS's batteries run out, the Power Monitor will give an alarm informing that the LogiCO2 Safety System is out of function.

The three LEDs show the current status:

## TECHNICAL DATA

### Power supply

- Safety System: 24V DC
- Batteries: 2xAAA Alkaline 1,5V batteries\*

**Battery control time:** Once per hour

**Low power trig point:** 18V

**No power trig point:** Approx 3V

**Wiring connections:** RJ 45

**Acoustic signal-strength:** ~80 dBa (1m)

**Operating temperature range:** 0 to +45°C / +32 to +113°F  
Only for indoor use.

**Overvoltage:** Category II

**Pollution degree:** II

**Dimensions (LxWxD):** 90 x 161 x 38 mm /  
3.5" x 6.3" x 1.5"

**Ingress protection:** IP54

**\*NOTE!** Do not use NiMh, NiCd or 3V AAA Lithium batteries.

LED Indication	Status
Green LED	The Safety System has power.
Red LED	1. Continuous beep and LED-light: No power to the Safety System. 2. Double beep and LED-flash every other second: Power below 18V to the Safety System.
Yellow LED	Beep and LED-flash every five seconds: Poor batteries in the Power Monitor. Replace the batteries.

## ORDERING EXAMPLE

Item code	Description
0486	Power Monitor for LogiCO2 Safety Systems

# Power Monitor Add-on KIT (0486) for LogiCO2 Safety Systems



## INSTALLATION

Install the Power Monitor as far out in the LogiCO2 Safety System as possible. The Power Monitor can detect a system power failure on both the red and blue cables of the Safety System.

Mount the Power Monitor in a suitable location where it is easily seen and heard. Do not cover the Power Monitor.

Remove the cover by unscrewing the five Phillips-screws.

Use a splitter and connect the Power Monitor to the Safety Systems red or blue cabling (red/blue RJ45 connectors). Install two high performance AAA Alkaline batteries (i.e. Duracell Ultra or GP Ultra) in the Power Monitor within 30 seconds after connecting it to the LogiCO2 Safety System being monitored. If no batteries are installed within 30 seconds, the Power Monitor will activate a "low battery" alarm.

30 seconds after the Power Monitor has been connected to the LogiCO2 Safety System, the Power Monitor checks the battery status. After that, the battery check is done once every hour.

## START-UP

How to start-up Power Monitor in order to avoid activating the buzzer during the start-up:

1. Install the Power Monitor in a suitable location.
2. Remove the cover by unscrewing the five Phillips-screws.
3. Disconnect the red cable **installed in the Power Monitor**.
4. Use a splitter and connect the Power Monitor to the Safety Systems red or blue cabling. See Fig. 1 and Fig. 2.
5. Install **one** new AAA battery.
6. Reconnect the red cable in the Power Monitor.
7. Install the other new AAA battery within 30 seconds after reconnection of the red cable.
8. Reassemble the cover and screws in order according to Fig. 3.

Fig. 1, Power Monitor connected on the **red cables** of the Safety System

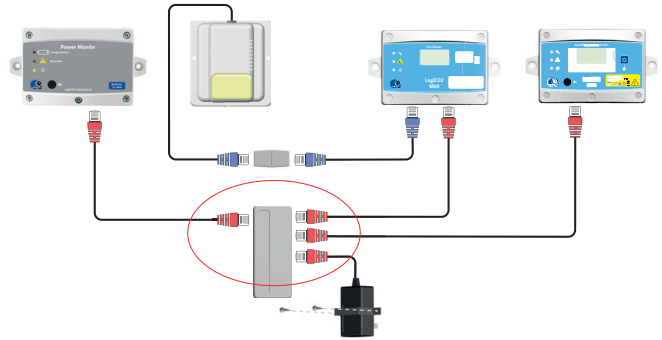
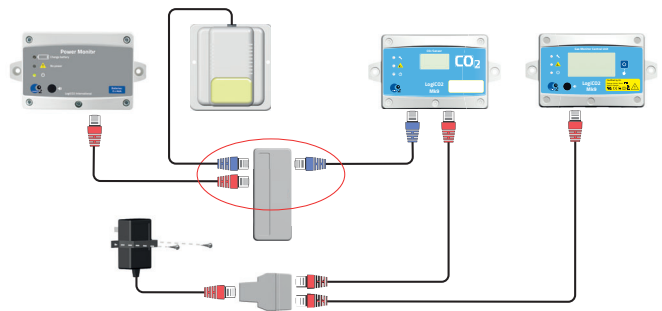


Fig. 2, Power Monitor connected on the **blue cables** of the Safety System



## REPLACE BATTERIES

How to replace poor batteries in order to avoid activating the buzzer during the exchange:

1. Remove the cover by unscrewing the five Phillips-screws.
2. Remove the AAA batteries.
3. Disconnect the red cable installed in the Power Monitor.
4. Install one new AAA battery.
5. Reconnect the red cable.
6. Install the other new AAA battery within 30 seconds after reconnection of the red cable.
7. Reassemble the cover and screws in this order, see Fig. 3.

Fig. 3, If the cover of the Power Monitor needs to be removed, please observe the following order of screw reassembling.

