

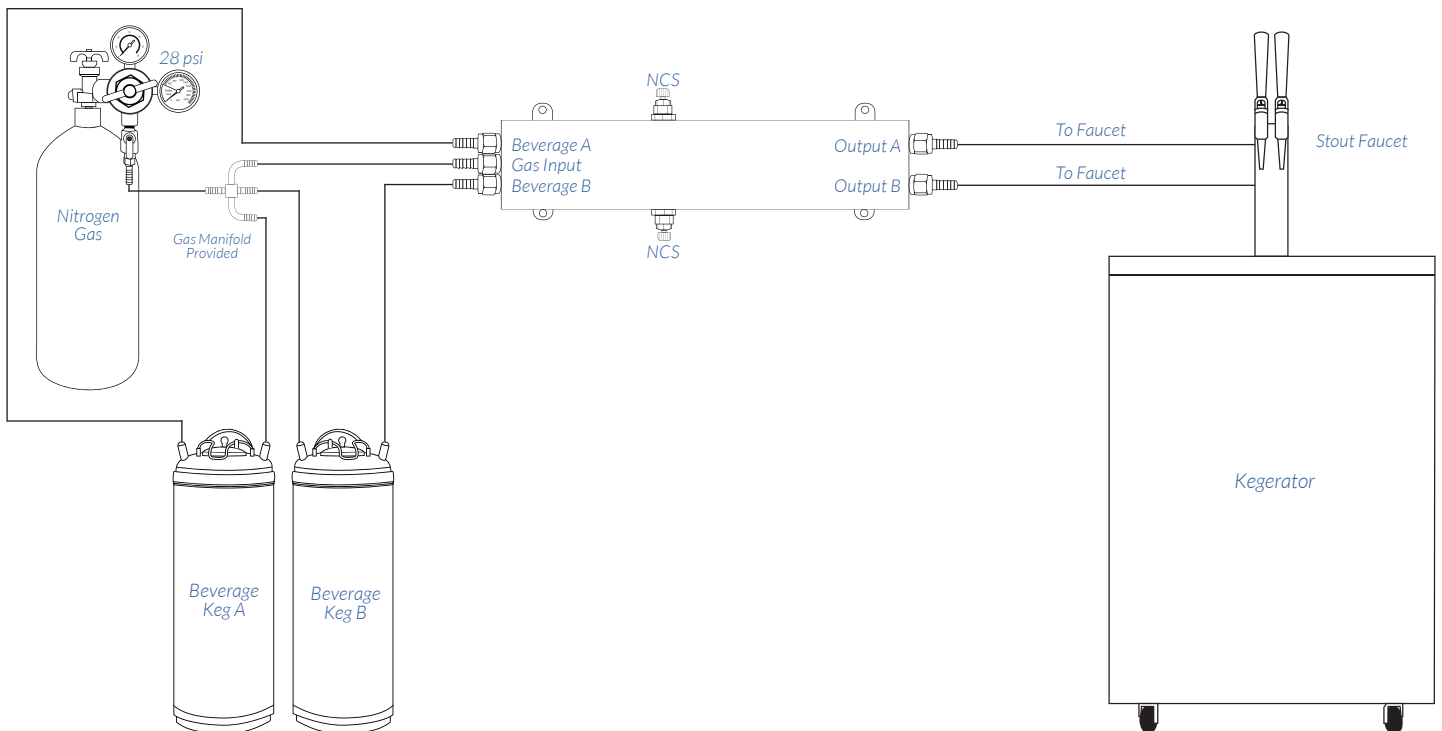
NITRO INFUSER

AGM Edition

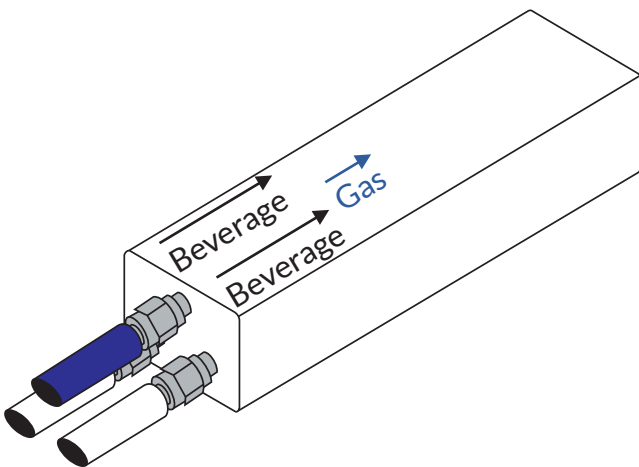
DUAL INSTALLATION INSTRUCTIONS

Thank you for purchasing a Nitro Infuser!
Follow the instructions below to get started.

Installation videos and manuals may be found at:
www.enhancedbeveragesolutions.com/pages/infuser-support

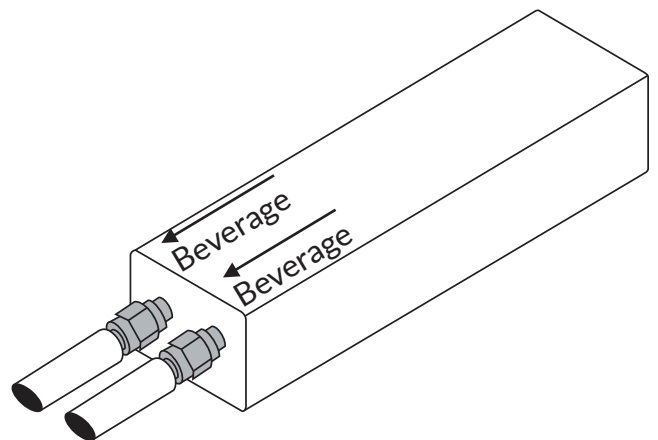


Nitro Infuser AGM Dual Side Views



Two beverage inputs
One gas input

INPUT



Two beverage outputs

OUTPUT

NITRO INFUSER

AGM Edition

DUAL INSTALLATION INSTRUCTIONS

Step 1: Preparation

If you are installing your Nitro Infuser in an existing system, the nitrogen gas must be shut off and depressurized, including the kegs. Set the regulator to 0 psi. Open the tap faucet to release pressure.

If hose requires different barb size, simply remove attached fittings and secure new fittings using thread tape or bushing.

Step 2: Identify Mounting Location for Nitro Infuser

The Nitro Infuser will be mounted within the kegerator, on the beverage line from the kegs to the tap faucet. Placement of your Nitro Infuser on the inside wall of the kegerator near the top is ideal. For best performance, the Beverage Output lines to the faucet should be as short as possible. (If you are also installing the AfterBurner, this will be installed after the Nitro Infuser, closer to the faucet)

*Please note, infusing a beverage with nitrogen causes the liquid to freeze faster. To prevent freezing, install your infuser further from the cooling mechanism (typically found near the back of the kegerator) and turn temperature up to approximately 35°F or higher. Refer to your kegerator's manual to ensure there is no electricity or cooling element behind selected location.

Step 3: Nitrogen Gas System

All kegs and Nitro Infuser need to run off the same gas regulator

It is important your gas system is turned off until the install is complete

- 3 a) Using the provided Gas Manifold, connect one side to the gas line coming from your gas regulator. Secure with hose clamp.
- 3 b) Connect two outputs of the Gas Manifold to the "Gas Input" hose going to each keg. Secure with hose clamps.
- 3 c) Connect the last output of the Gas Manifold to a gas hose going to the Nitro Infuser barb labeled "Gas Input". Secure with hose clamp.

Step 4: Beverage System

- 4 a) Identify the beverage hose(s) from each keg to each tap/faucet. Cut the line at a point that will fit the Nitro Infuser mounting location.
- 4 b) Connect each tap line from the faucet to the Nitro Infuser barb labeled "Output". Secure with hose clamp.
- 4 c) Connect each keg out line to the Nitro Infuser barb labeled "Beverage Input". Secure with hose clamp.

Step 5: Mount Nitro Infuser to Keg System

- 5 a) Once all connections are complete, double-check connections to assure hose clamps have been tightened.
- 5 b) Attach Nitro Infuser to kegerator in desired location from Step 2.
- 5 c) Place gas cylinder & beverage kegs into kegerator. Assure all hoses have a clear path and are not kinked. Assure kegerator system door is able to close properly.

Step 6: Pressurizing System

- 6 a) Keep each tap faucet in the closed position.
- 6 b) Turn the nitrogen gas to a full open position.
- 6 c) Adjust gas regulator to 28 psi - please note that if the regulator is set to higher than 28 psi you will need to release pressure from keg once regulator is adjusted to 28 psi.
- 6 d) You will hear nitrogen gas pressurizing the keg for a short time. Check for leaks on beverage connections. Spray soapy water on all gas connections. If air bubbles begin to form, that is the sign of a gas leak.

Step 7: Adjusting Your Nitro Infuser

- 7 a) Start with the Nitrogen Control System (NCS) valve all the way closed and pour a drink.
- 7 b) Open NCS valve one quarter turn from the closed position. Pour and analyze infusion level. Adjust accordingly in quarter-turn increments.
- 7 c) Once the desired infusion level is found, lock in the NCS valve by tightening the locking nut. Loosen locking nut prior to future adjustments.

CLEANING

Cleaning your tap lines will clean the infusion system. It is recommended that you clean your tap lines every 1-2 weeks. It is recommended to remove your stout nozzle and rinse daily.

Installation Video



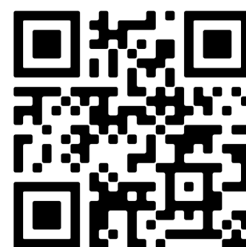
<https://youtu.be/iDIWvvFtVvE>

Adjustment Video



<https://youtu.be/sAfcgEkNBjQ>

Cleaning & Maintenance



<https://tinyurl.com/Enhanced-Beverage>