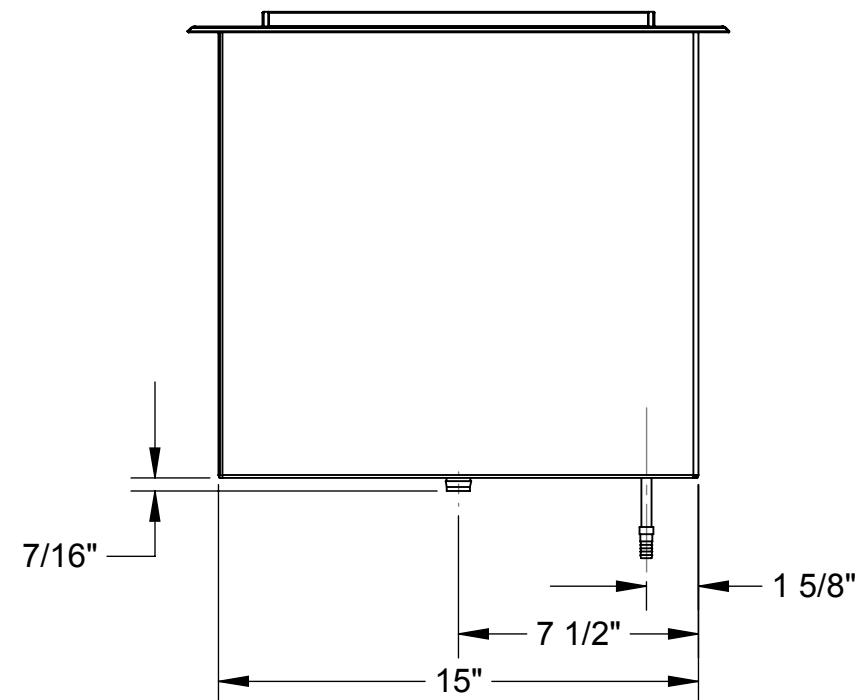
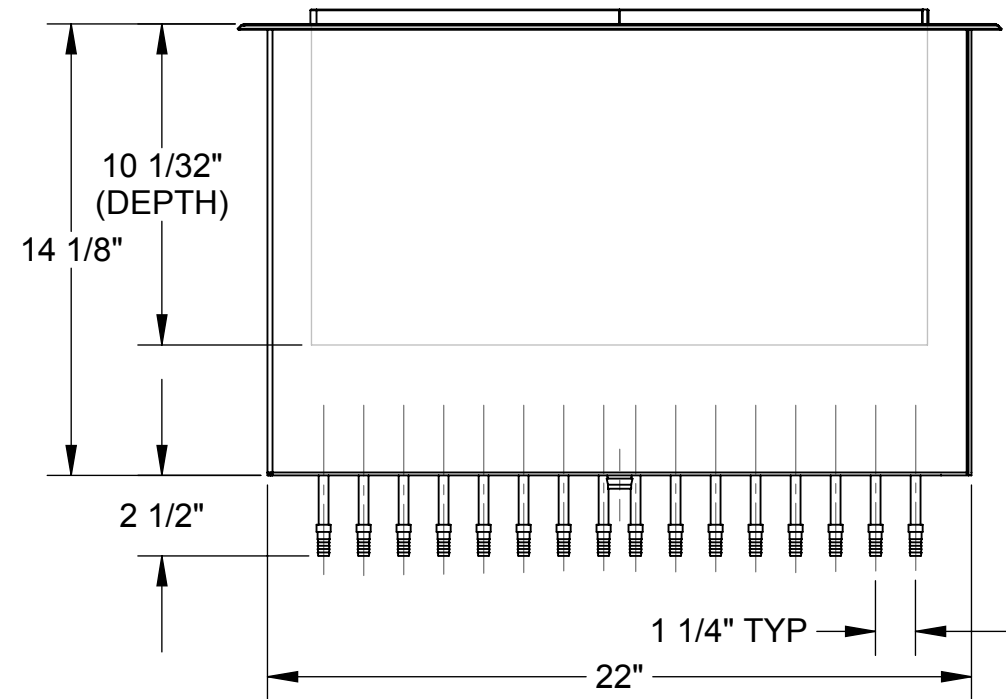
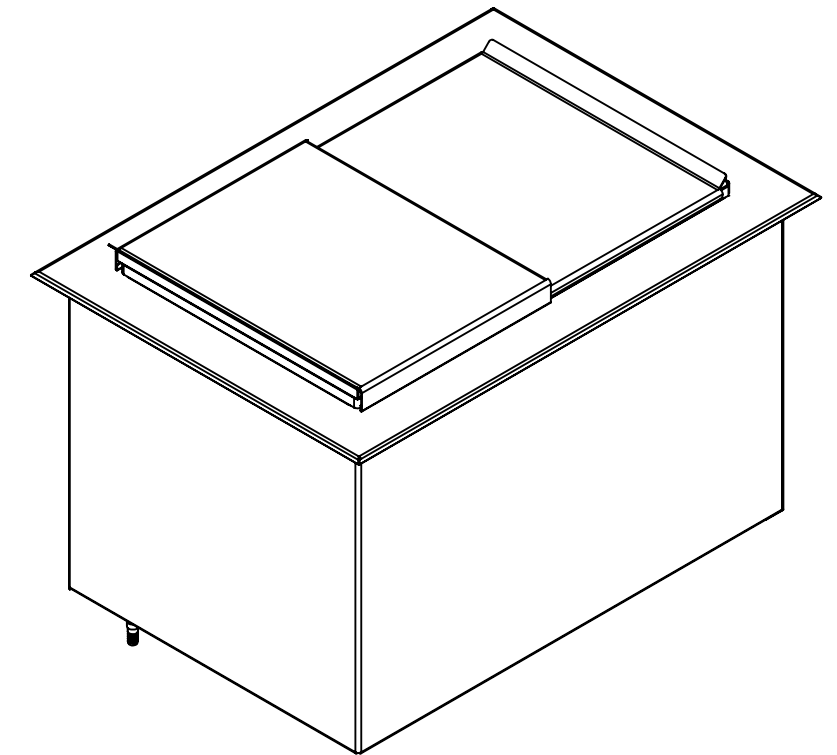
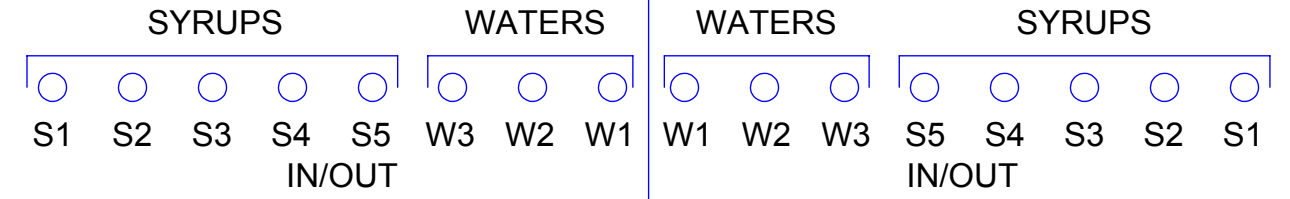



PLUMBING DIAGRAM



**NOTES:**

1. ICE CAPACITY: 60 lbs
2. ALL LINES ARE 5/16" ID, 304 S/S TUBE WITH 3/8" BARB ENDS
3. DRAIN CONNECTION: 3/4" BARB
4. SHIPPED WITH 6 FT DRAIN HOSE (NOT SHOWN) AND LID ASSEMBLY
5. LINE IN/OUT CAN BE LEFT OR RIGHT

MATERIAL	DRAWN	NAME	DATE
FINISH	ENG APPR.	JRS	
DIMENSIONS ARE IN INCHES			
TOLERANCES: FRACTIONAL ± 1/64 ANGULAR: MACH ± 1/2° BEND ± TWO PLACE DECIMAL ± 0.015 THREE PLACE DECIMAL ± 0.005			
<b>PROPRIETARY AND CONFIDENTIAL</b>			
THE INFORMATION CONTAINED IN THIS DRAWING IS THE SOLE PROPERTY OF TAPRITE-FASSCO MFG., INC. ANY REPRODUCTION IN PART OR AS A WHOLE WITHOUT THE WRITTEN PERMISSION OF TAPRITE-FASSCO MFG., INC. IS PROHIBITED.			
 2448 NORTHWESTERN DR SAN ANTONIO TX 78238			TITLE:
<b>DROP IN 1522 CHEST W/8 CKT PSMX CP</b>			REV
SIZE DWG. NO.	DI-1522-8_SALES		A
SCALE: 1:6	DO NOT SCALE DRAWING	SHEET 1 OF 1	