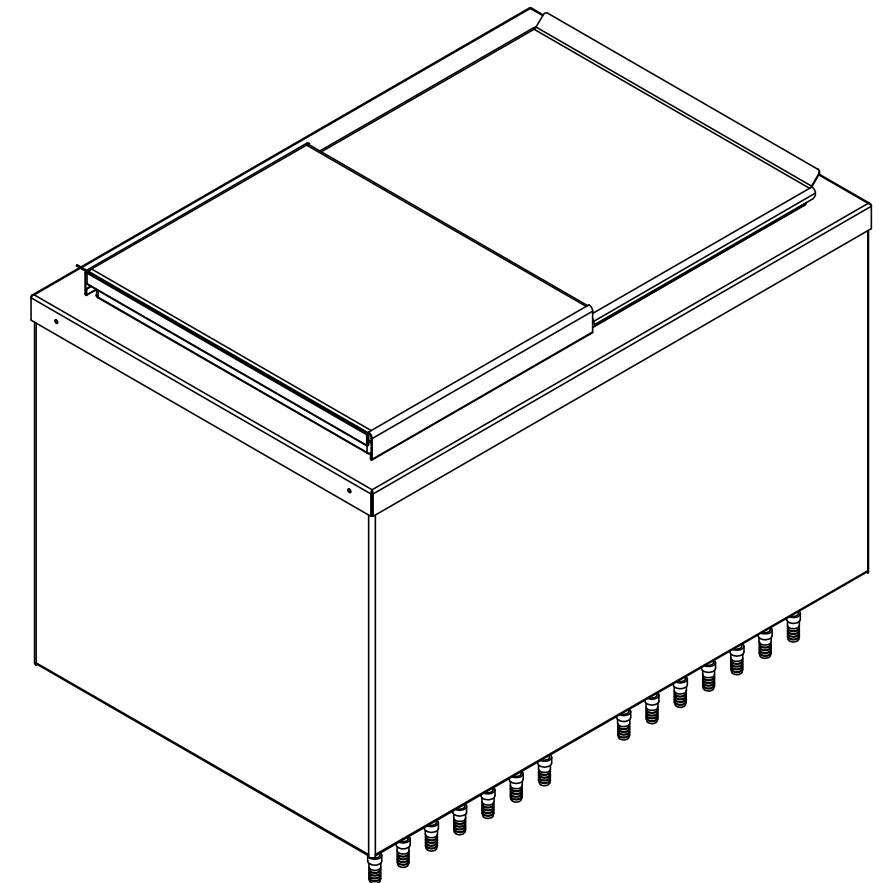
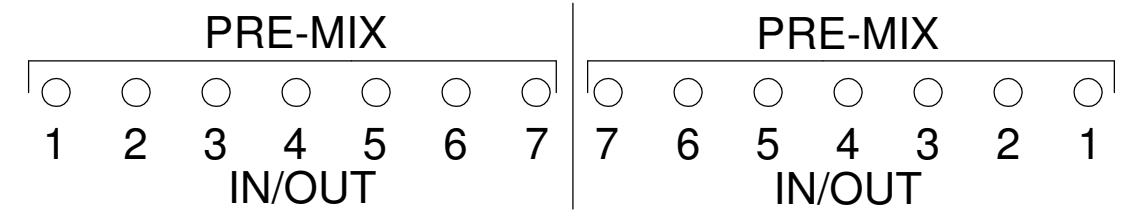



PLUMBING DIAGRAM



NOTES:

1. ICE CAPACITY: 60 lbs
2. ALL LINES ARE 5/16" ID, 304 S/S TUBE WITH 3/8" BARB ENDS
3. DRAIN CONNECTION: 3/4" BARB
4. SHIPPED WITH 6 FT DRAIN HOSE (NOT SHOWN) AND LID ASSEMBLY
5. LINE IN/OUT CAN BE LEFT OR RIGHT

MATERIAL	DRAWN	NAME	DATE	 <small>3218 NORTHWESTERN DR SAN ANTONIO, TX 78238</small>
	ENG APPR.	JRS	03/08/12	
FINISH	<p>PROPRIETARY AND CONFIDENTIAL</p> <p>THE INFORMATION CONTAINED IN THIS DRAWING IS THE SOLE PROPERTY OF TAPRITE-FASCO MFG., INC. ANY REPRODUCTION IN PART OR AS A WHOLE WITHOUT THE WRITTEN PERMISSION OF TAPRITE-FASCO MFG., INC. IS PROHIBITED.</p>			TITLE:
DIMENSIONS ARE IN INCHES	<p>TOLERANCES: FRACTIONAL ± 1/64 ANGULAR: MACH ± 1/2° BEND ± TWO PLACE DECIMAL ± 0.015 THREE PLACE DECIMAL ± 0.005</p>			<p>FREE STD 1522 CHST W/7 CKT PSMX CP</p>
	SIZE	DWG. NO.	REV	
	B	FS-1522-7 SALES	A	
	SCALE: 1:6	DO NOT SCALE DRAWING	SHEET 1 OF 1	